

INSTALLATION INSTRUCTION

Photocell

9000-PCH-GY, 9000-PCR-GY

WAC LIGHTING

Responsible Lighting®

IMPORTANT:

Read all instructions before installing.

- Read all instructions before proceeding with the installation.
- **WARNING:** Risk of electrical shock, not for use with swimming pool or spa fixtures.
- Place the wall switch in the "OFF" position
- Do not modify or change the product in any way. This product is to be installed by a qualified electrician only. Failure to do so will void the warranty and may result in serious injury and/or damage to the transformer.

IMPORTANTE:

Lea todas las instrucciones antes de instalar.

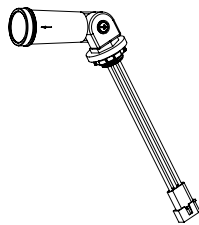
- No conecte este temporizador en un cable de extensión u otro adaptador de corriente. Conecte directamente a una toma eléctrica.
- No conecte el contador a los aparatos que contienen
- elementos de calefacción (de aparatos de cocina, calentadores, planchas, etc.)
- El fallo del temporizador para apagar dicho dispositivo puede provocar un sobrecalentamiento y un posible incendio.
- No conecte este temporizador si está húmedo.
- No limpie este temporizador cuando está enchufado int.
- No exceder los valores máximos del temporizador.
- Posible riesgo de descarga:
- Mantener fuera del alcance de los niños.

IMPORTANT:

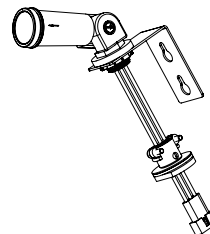
Lisez toutes les instructions avant de l'installer.

- Ne branchez pas ce temporisateur dans une rallonge ou un autre adaptateur électrique. Brancher directement dans une prise électrique.
- Ne pas relier cette minuterie pour les appareils qui contiennent
- éléments de chauffage (appareils de cuisson, chauffe, un fer à repasser, etc.)
- L'échec de l'horloge pour éteindre tel dispositif peut entraîner une surchauffe et un incendie.
- Ne branchez pas cette minuterie si elle est mouillée.
- Ne nettoyez pas ce temporisateur quand il est branché int.
- Ne pas dépasser les évaluations maximales de la minuterie.
- Risque d'électrocution:
- Conserver hors de la portée des enfants.

THIS INSTRUCTION APPLIES TO THE MODELS BELOW:



9000-PCH-GY



9000-PCR-GY

SPECIFICATION

Input: 120VAC

Max Load: 600W

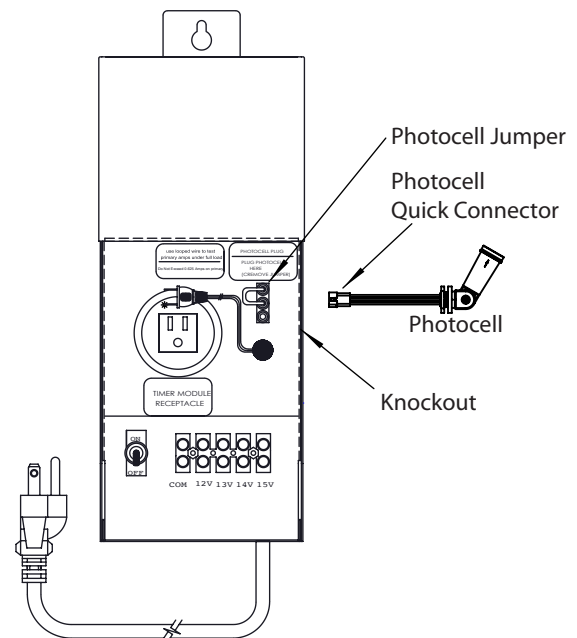
Sensitivity: 0.5 - 1fc on / 8 - 15fc off

Application Location: Dry or Wet locations

Anti-interference Delay: 30 seconds

PREPARATION

1. Terminate the power supplied to the magnetic transformer being controlled
2. Punch out the desired knockout conduit on the transformer
3. Remove the jumper installed on the photocell connector



waclighting.com

Phone (800) 526.2588

Fax (800) 526.2585

Headquarters/Eastern Distribution Center

44 Harbor Park Drive

Port Washington, NY 11050

Central Distribution Center

1600 Distribution Ct

Lithia Springs, GA 30122

Western Distribution Center

1750 Archibald Avenue

Ontario, CA 91760

INSTALLATION INSTRUCTION

Photocell

9000-PCH-GY, 9000-PCR-GY

WAC LIGHTING

Responsible Lighting®

FOR ON-BOARD INSTALLATION

1. Unscrew and remove the mounting nut from the photocell.
2. With the photocell outside the transformer, thread the quick connector and wires through the knockout.
3. Replace the mounting nut and fasten the photocell to the transformer.
4. Plug the quick connector into the transformer.
5. Adjust the photocell to the desired position and resupply power to the magnetic transformer

FOR REMOTE INSTALLATION

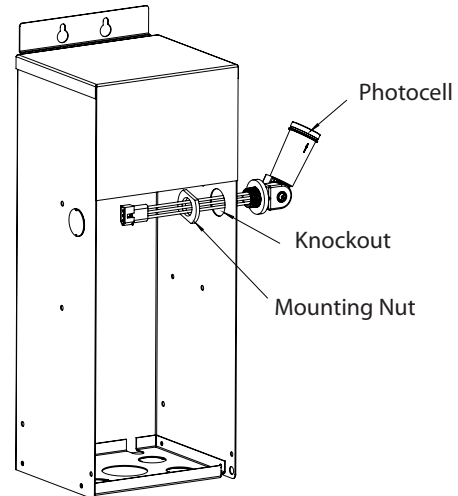
1. Uncrew and remove mounting nut 2 from the waterproof plug.
2. With the photocell outside the transformer, thread the quick connector and wires through the knockout.
3. Replace mounting nut 2 and fasten the waterproof plug to the transformer.
4. Using the L-Bracket and appropriate mounting screws for the desired application, mount the L-Bracket to secure the photocell in desired location.
5. Plug the quick connector into the transformer.
6. Adjust the photocell to the desired position and resupply power to the magnetic transformer

Note: After intially powering the photocell, please allow 1-2 minutes for it to fully configure.

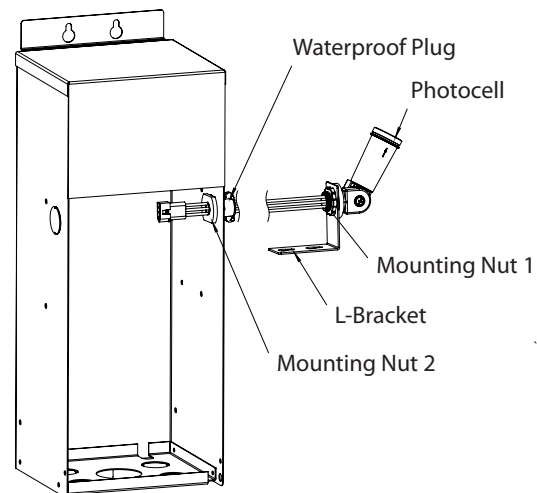
WARNING

- Make sure the photocell is not affected by the light from surrounding fixtures. This could affect its performance.
- Potential shock hazard: Keep out of reach of children.

On - Board Installation
9000-PCH-GY



Remote Installation
9000-PCR-GY



waclighting.com

Phone (800) 526.2588

Fax (800) 526.2585

Headquarters/Eastern Distribution Center

44 Harbor Park Drive

Port Washington, NY 11050

Central Distribution Center

1600 Distribution Ct

Lithia Springs, GA 30122

Western Distribution Center

1750 Archibald Avenue

Ontario, CA 91760