

# SPECIFICATION SHEET

## PRODUCT # : CL-323B-AB

• Well Lights

• Cast Brass Fixture

### Fixture Specifications:

**Housing:** Cast brass adjustable fixture with aiming mechanism, suspended inside PVC sleeve.

**Face Plate:** Cast brass with heat dissipative holes.

**Finish :** **AB- Antique Bronze.** Natural toning process. AB finish will vary due to artistic process.

**Lens:** Clear and heat resistant flat glass.

**Socket:** Top grade fixed ceramic bi-pin socket.

**Lamp:** 12V, MR-16 halogen, 50W max. L-BAB-C20 (20w) standard. See below for available LED lamps.

**Gasket:** Silicone "O" ring gasket on adjustable fixture for water tight sealing.

**Wiring:** Fixture is prewired with a 3-ft 18-2 SPT2-W direct burial cord. Wire connector available separately. Universal connector CX-839 or gel filled wire nut CX-854 may be ordered to Corona Lighting.

**Mounting:** In-ground direct burial or concrete encasement.

**Electrical Notes:** A remote 12V transformer required, may be ordered to Corona Lighting separately. Voltage range for 12V halogen lamps are 11V-12.5V. Voltage range for LED lamps are 9V-17V.

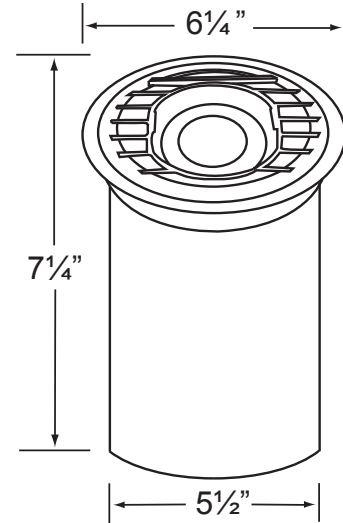
**Warranty:** Limited lifetime warranty on fixture against manufacturer's defects.



Adjustable fixture with aiming mechanism is suspended inside sleeve.



3.5W, and 5W



### AVAILABLE LED LAMPS

LAMP NUMBER	WATTS	BRAND	BEAM		COLOR & TEMP.	ORDER CODE
			SPREAD	LUMEN		
L-EDMR16-EP-3W-FL	3.5	EPISTAR	45° Flood	210	WW 2700K	MR16-EP-3W-FL
L-EDMR16-EP-5W-FL	5	EPISTAR	45° Flood	270	WW 2700K	MR16-EP-5W-FL
L-EDMR16-3W-WW-SP	3.5	CREE	15° Spot	210	WW 2700K	MR16-3W-WW-SP
L-EDMR16-3W-WW-FL	3.5	CREE	45° Flood	210	WW 2700K	MR16-3W-WW-FL
L-EDMR16-3W-WW-WF	3.5	CREE	60° Wide Flood	210	WW 2700K	MR16-3W-WW-WF
L-EDMR16-5W-WW-SP	5	CREE	15° Spot	270	WW 2700K	MR16-5W-WW-SP
L-EDMR16-5W-WW-FL	5	CREE	45° Flood	270	WW 2700K	MR16-5W-WW-FL
L-EDMR16-5W-WW-WF	5	CREE	60° Wide Flood	270	WW 2700K	MR16-5W-WW-WF

### JOB INFORMATION

TYPE: \_\_\_\_\_ DATE: \_\_\_\_\_

JOB NAME & ADDRESS: \_\_\_\_\_

PRODUCT #: \_\_\_\_\_

TOTAL QUANTITY: \_\_\_\_\_

LAMP TYPE & WATTAGE: \_\_\_\_\_

TRANSFORMER: \_\_\_\_\_

CONTRACTOR: \_\_\_\_\_

SPECIFIER: \_\_\_\_\_