

SPECIFICATION SHEET

PRODUCT # : CL-308-AB

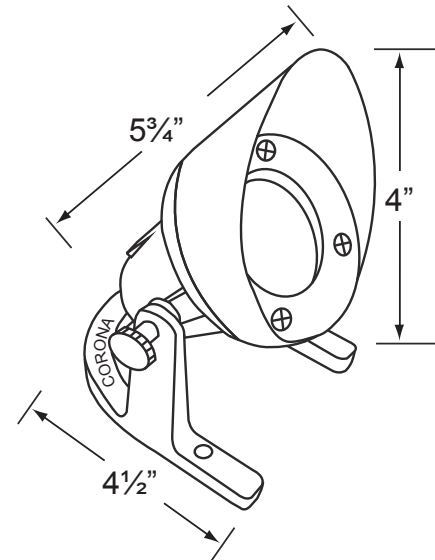
• Underwater

• Cast Brass

Fixture Specifications:

Housing: Corrosion resistant cast brass.
Face Plate: Cast brass with stainless steel screws.
Finish : **AB- Antique Bronze.** Natural toning process. AB finish will vary due to artistic process.
Lens: Clear, tempered, and heat resistant glass.
Socket: Top grade loose ceramic bi-pin socket, spring loaded design.
Lamp: 12V, MR-16 halogen, 50W max. L-BAB-C20 (20w) standard. See below for available LED lamps.
Gasket: Silicone "O" ring seals faceplate to housing providing water tight protection.

Wiring: Fixture is prewired with a 30-ft 16-2 SJT-W water resistant cord.
Mounting: Fully adjustable arms with solid brass thumb screws to provide light aiming. Fixture is mounted on a heavy duty brass bracket for a firm and stable underwater placement.
Electrical Notes: A remote 12V transformer required, may be ordered to Corona Lighting separately. Voltage range for 12V halogen lamps are 11V-12.5V. Voltage range for LED lamps are 9V-17V.
Warranty: Limited lifetime warranty on fixture against manufacturer's defects.



3.5W and 5W

AVAILABLE LED LAMPS

LAMP NUMBER	WATTS	BRAND	BEAM		COLOR & TEMP.	ORDER CODE
			SPREAD	LUMEN		
L-EDMR16-EP-3W-FL	3.5	EPISTAR	45° Flood	210	WW 2700K	MR16-EP-3W-FL
L-EDMR16-EP-5W-FL	5	EPISTAR	45° Flood	270	WW 2700K	MR16-EP-5W-FL
L-EDMR16-3W-WW-SP	3.5	CREE	15° Spot	210	WW 2700K	MR16-3W-WW-SP
L-EDMR16-3W-WW-FL	3.5	CREE	45° Flood	210	WW 2700K	MR16-3W-WW-FL
L-EDMR16-3W-WW-WF	3.5	CREE	60° Wide Flood	210	WW 2700K	MR16-3W-WW-WF
L-EDMR16-5W-WW-SP	5	CREE	15° Spot	270	WW 2700K	MR16-5W-WW-SP
L-EDMR16-5W-WW-FL	5	CREE	45° Flood	270	WW 2700K	MR16-5W-WW-FL
L-EDMR16-5W-WW-WF	5	CREE	60° Wide Flood	270	WW 2700K	MR16-5W-WW-WF

JOB INFORMATION

TYPE: _____ DATE: _____
 JOB NAME & ADDRESS: _____
 PRODUCT #: _____
 TOTAL QUANTITY: _____
 LAMP TYPE & WATTAGE: _____
 TRANSFORMER: _____
 CONTRACTOR: _____
 SPECIFIER: _____

• Corona Lighting reserves the right to make any change and/or improvement to the design and construction of this fixture without further notification.