



WWW.CORONALIGHTING.COM

ARCHITECTURAL GRADE SERIES

1633 Staunton Ave
Los Angeles, CA 90021

TEL. (800) 727-9262 (800) 727-9957
FAX. (213) 747-4500 (213) 747-3234

SPECIFICATION SHEET

E-Mail: sales@coronalighting.com

PRODUCT # : CL-212-SS

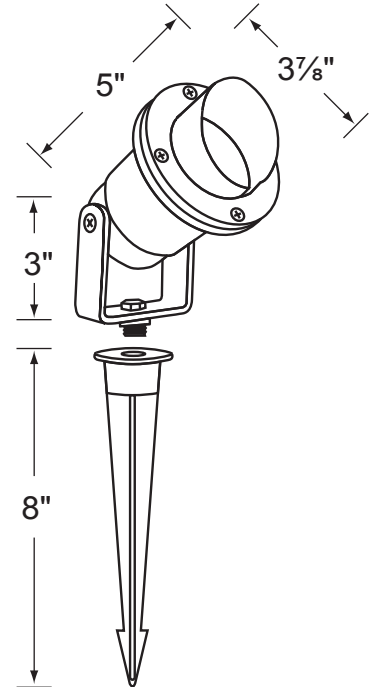
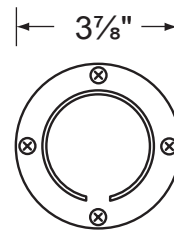
• Directional Lights

• 316 Grade Stainless Steel

Fixture Specifications:

Housing: Solid Stainless Steel.
Finish: SS- Stainless Steel.
Lens: Clear and heat resistant convex glass. Extra flat lens included.
Socket: Top grade ceramic bi-pin socket, with retension clip.
Lamp: 12V, MR-16 halogen, 35W max. L-BAB-C20 (20w) standard. See below for available LED lamps.
Wiring: Fixture is prewired with a 3-ft 18-2 SPT2-W direct burial cord. Wire connector available separately. Gel filled wire nut CX-854 may be ordered to Corona Lighting.

Gasket: Silicone "O" ring seals face plate to housing providing weather tight protection .
Yoke: Stainless steel yoke with 1/2" NPT bushing for affixing mounting spike .
Mounting Spike: 8" Stainless steel mounting spike with 1/2" NPT threaded female hub.
Electrical Notes: A remote 12V transformer required, may be ordered to Corona Lighting separately. Voltage range for 12V halogen lamps are 11V-12.5V Voltage range for LED lamps are 9V-17V.
Warranty: Limited lifetime warranty on fixture housing against manufacturer's defects.



3.5W and 5W

AVAILABLE LED LAMPS

LAMP NUMBER	WATTS	BRAND	BEAM		COLOR & TEMP.	ORDER CODE
			SPREAD	LUMEN		
L-EDMR16-EP-3W-FL	3.5	EPISTAR	45° Flood	210	WW 2700K	MR16-EP-3W-FL
L-EDMR16-EP-5W-FL	5	EPISTAR	45° Flood	270	WW 2700K	MR16-EP-5W-FL
L-EDMR16-3W-WW-SP	3.5	CREE	15° Spot	210	WW 2700K	MR16-3W-WW-SP
L-EDMR16-3W-WW-FL	3.5	CREE	45° Flood	210	WW 2700K	MR16-3W-WW-FL
L-EDMR16-3W-WW-WF	3.5	CREE	60° Wide Flood	210	WW 2700K	MR16-3W-WW-WF
L-EDMR16-5W-WW-SP	5	CREE	15° Spot	270	WW 2700K	MR16-5W-WW-SP
L-EDMR16-5W-WW-FL	5	CREE	45° Flood	270	WW 2700K	MR16-5W-WW-FL
L-EDMR16-5W-WW-WF	5	CREE	60° Wide Flood	270	WW 2700K	MR16-5W-WW-WF

JOB INFORMATION

TYPE: _____ DATE: _____

JOB NAME & ADDRESS: _____

PRODUCT #:

TOTAL QUANTITY:

LAMP TYPE & WATTAGE:

TRANSFORMER:

CONTRACTOR:

SPECIFIER:

• Corona Lighting reserves the right to make any change and/or improvement to the design and construction of this fixture without further notification.